



UTP7224E-POE-L2

Security-purpose Industrial PoE Switch

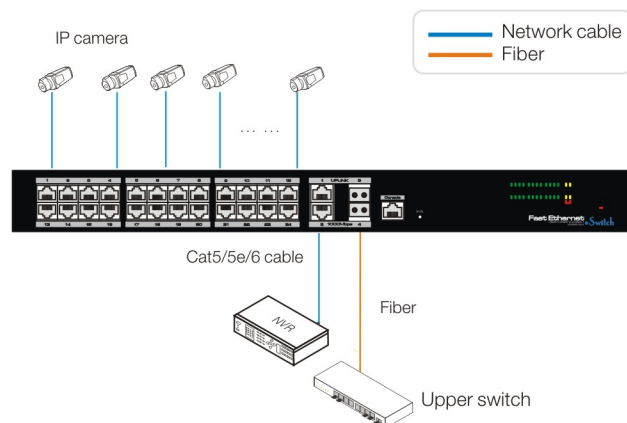
Specially designed for HD IP camera data and PoE access



KEY FEATURES

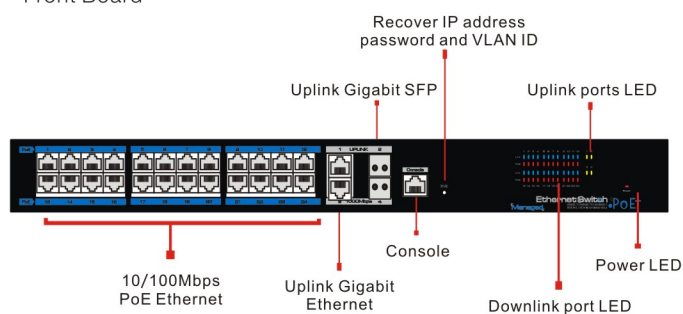
- Industrial-Level Chip Superior Performance
- Hybrid Fiber and Ethernet Gigabit uplink
- PoE+ 150m Downlink Ports
- 6KV Lightning protection and Level 3 ESD
- Web Management Real-time Surveillance
- RJ45 Ports with 30u Gold-plated Flattened Pins

APPLICATION



BOARD DIAGRAM

Front Board



Back Board



SPECIFICATIONS

	Item	Description
Products	Products	24 Ports PoE Ethernet Switch
Power	Power Supply	Mains on load
	Voltage Range	AC 100~240V
	Consumption	420W
Network Connector	Ethernet Port	1~24 Ports: 10/100Mbps Ethernet port, adaptive control UPLINK Ethernet ports: 10/100/1000Mbps Ethernet port SFP: SFP optical fiber module, 1000Mbps
	Transmission Distance	1~24 ports: Recommended 120m Max.150m; Uplink 1000Mbps Ethernet port: Max.100m SFP: depend on the optical module performance
	PoE Protocol	IEEE802.3af, IEEE802.3at
	PoE Power Supply	End-span
	PoE Power Consumption	EachPort≤30W, Total ≤370W
Network Switch	Network Standard	IEEE802.3 10BASE-T, IEEE802.3u 100BASE-TX, IEEE802.3ab 1000BASE-T, IEEE802.3z 1000BASE-SX/LX
	Switch Capacity	16G
Management	Management	Management L2
Protection	ESD	Level 3, Per: IEC61000-4-2
	Communication Port Lighting Protection	Level 3, Per: IEC61000-4-5
Environmental	Working Temperature	0°C ~55°C
	Storage Temperature	-40°C ~85°C
	Humidity	0~95%
Mechanical	Dimension (LxWxH)	442mmx263mmx44.5mm
	Material	Sheet metal
	Color	Black
	Weight	3.73kg

